

Perfect, long-lasting insulation for facilities that require controlled temperature.

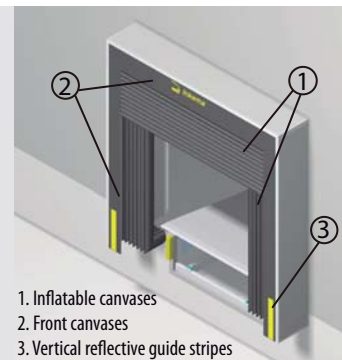
## TECHNICAL DESCRIPTION

The **Premium Inflatable Shelter** by **Inkema** has been designed to ensure fully optimal seal during the loading and unloading process.

The perfect adjustment of the shelter with the truck trailer provides a relevant energetic saving, as it achieves thermic insulation from the outside and a cleaner environment inside the plant, without interfering in the ease of the manoeuvres.

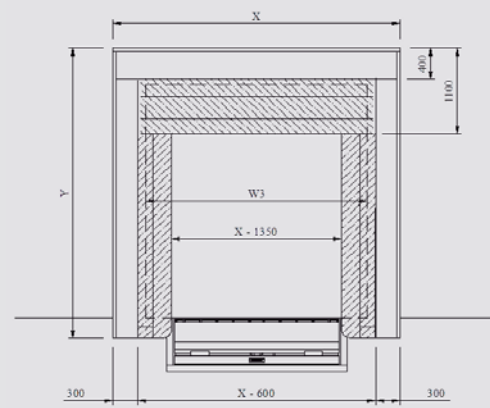
The air bag retracts in an orderly fashion in each side when the shelter is not working, to avoid wear and tear of the canvas and to help the manoeuvres.

There are 2 types of **Premium Inflatable Shelters**: the **Standard Shelter** and the **Mini Shelter**.



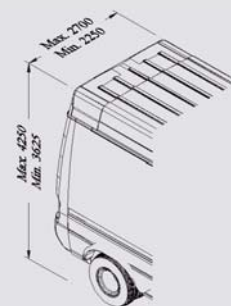
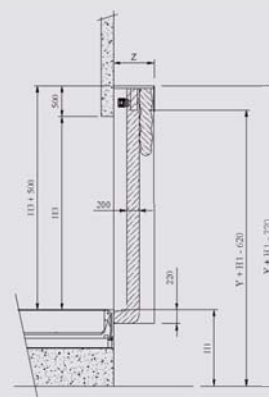
- ✓ **PERFECT ADJUSTMENT TO THE VEHICLES:**  
Different types of shelters can be installed depending on the fleet of trucks/vans.
- ✓ **UNINTERRUPTED REFRIGERATION:**  
Optimal thermic insulation during the process of loading and unloading, which translates in an energetic saving.
- ✓ **HIGH QUALITY MATERIALS:**  
Only the highest durability materials meet our requirements when manufacturing our shelters.
- ✓ **PERFECT RETRACTING:**  
Orderly retracting system of the canvases in each side.

## DIMENSIONS



Dimensions standard shelter  
 X= 3500 Y=3720 Z=630 H1=1200  
 X=2700 Y=2800 Z=630 H1=1000

Dimensions standard door  
 W3=2700 H3=3100  
 W3=1900 H3=2200



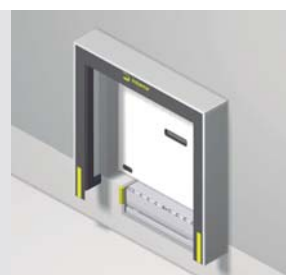
## TECHNICAL DATA

- Use: Outdoor
- Structure: 40mm panel.  
Material: Anodized Aluminium
- Maximum size: 3500mm x 3720mm (standard)  
2700mm x 2800mm (mini)
- Projection: 630mm
- Side canvas width: 650mm
- Front canvas width: 1000/1500mm
- Inflatable canvas: 70% PVC coated polyester fabric  
30% Polyamide

## TYPES OF INFLATABLE SHELTERS

There are two types of **Inflatable Shelters** depending on the needs of our customers:

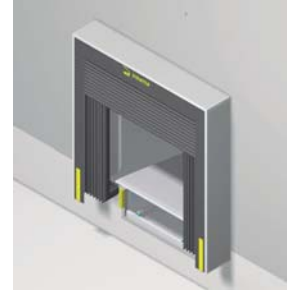
- **Standard Shelter:** With a width of 3500mm and a height of 3720mm, this shelter will service a wide variety of big and mid-sized trucks.
- **Mini Shelter:** Smaller than the standard one, this 2700mm (W) x 2800mm (H) shelter has been conceived for small trucks and vans.



Deflated Standard Shelter at rest. The inflatable canvases retract orderly inside the shelter.



Inflated Mini Shelter: it provides a high level of seal even in small vehicles.



Deflated shelter at rest.



Inflated shelter: it provides a high level of seal.

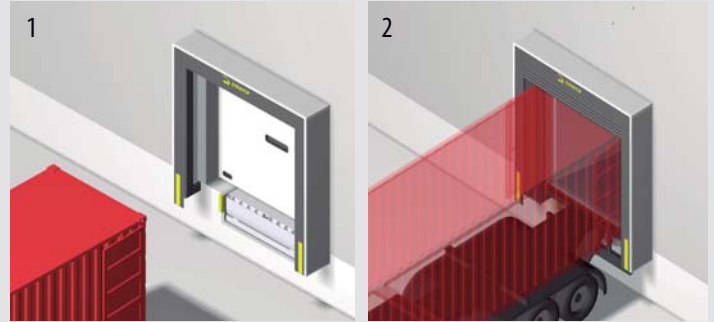


Orderly retracted canvas on the side of the shelter.

- A) Detail of the deflated canvas.
- B) Detail of the inflated canvas.

## OPERATION

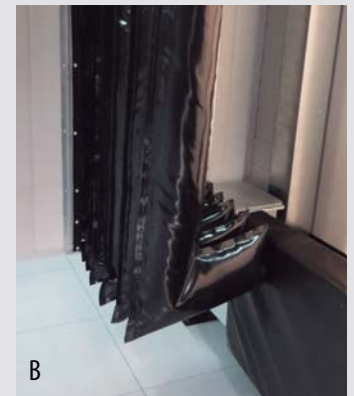
Inflatable Shelter:



1. As the truck/van approaches, the docking manoeuvres start, helped by the reflective guide stripes on each side. The shelter remains at rest with the canvases deflated.

2. Once the truck or van is docked in the loading bay, the canvases start inflating, covering all the space between the truck/van and the shelter. The seal will be perfect, achieving an optimal thermic insulation in the facility. From this moment on, the loading and unloading process can start.

After it has finished, the canvases begin deflating and orderly retracting behind the protective structure of the shelter, and once over, the truck/van will proceed to leave the docking bay.

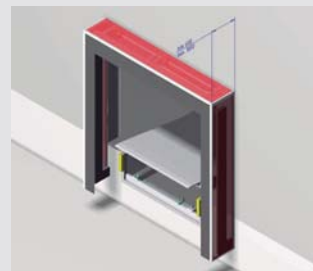


## OPTIONAL BENEFITS

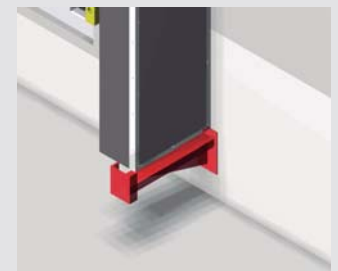
Every **Inflatable Shelter** by **Inkema** offers several optional benefits which allow customers to customize their shelters according to their needs and requirements.

The main benefits are as follows:

- Choice of different **Shelter projections**.
- Possibility to add **Steel bumpers** to the loading bay.



Projection: minimum 600mm, maximum 1000mm.



Steel bumpers to protect the shelter and the facade.